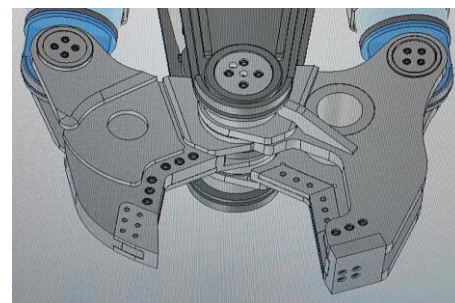
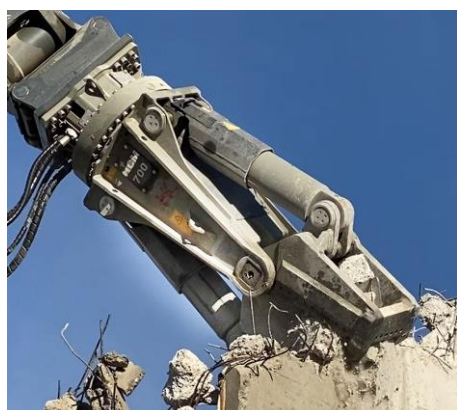


KONVERMA Demolition Equipment

Multiprocessor HCM 600; HCM 650; HCM 700; HCM 750; HCM 800; HCM 900 (-M, -C, -S)



A single support can be equipped with three different, rapidly exchangeable jaws:

- HCM-M multifunction jaw
- HCM-C combi jaw
- HCM-S scrap metal jaw

HCM Strengths

- Sizes suitable from 8 to 65 tons
- Hydraulically 360° rotatable
- Highly reliable Torque-hydraulic motors, with a pressure limit valve
- Robust hydraulic cylinder with SPEED valve
- Wide bushings made of quenched tempered steel, hardened 60 HRC
- Robust slewing bearing with hardened gear wheel
- Reinforced jaws, manufactured from high-strength, wear-resistant HARDOX steel
- Exchangeable crushing teeth made of Hardox 600

Model:	HCM 600-M	HCM 600-S	HCM 650-M	HCM 650-C	HCM 650-S	HCM 700-M	HCM 700-C	HCM 700-S	HCM 750-M	HCM 750-C	HCM 800-M	HCM 800-C	HCM 800-S	HCM 900-M
Weights:														
Exc. weight:	8-17 t	8-17 t	15-24 t	15-24 t	15-24 t	20-30 t	20-30 t	20-30 t	25-40 t	25-40 t	30-47 t	27-47 t	27-47 t	40-65 t
Weight:	1070 kg	970 kg	1577 kg	1570 kg	1470 kg	2070 kg	2070 kg	1930 kg	2700 kg	2730 kg	3370 kg	2970 kg	2870 kg	4370 kg
Dimensions, closing forces:														
Opening:	517 mm	375 mm	590 mm	797 mm	427 mm	650 mm	900 mm	470 mm	720 mm	1000 mm	770 mm	1000 mm	560 mm	830 mm
Jaw width:	404 mm	175 mm	450 mm	200 mm	187 mm	510 mm	250 mm	217 mm	570 mm	370 mm	605 mm	297 mm	258 mm	650 mm
Jaw depth:	450 mm	350 mm	510 mm	580 mm	370 mm	575 mm	660 mm	450 mm	625 mm	700 mm	700 mm	785 mm	540 mm	827 mm
Closing force: (min. / max.)	53/150 t	62/150 t	75/270 t	70/270 t	87/270 t	83/270 t	80/270 t	100/270 t	95/350 t	90/350 t	105/370 t	97/370 t	130/370 t	125/400 t
Hydraulic:														
Opening / Closing: Pmax.	350 bar	350 bar	350 bar	350 bar	350 bar	380 bar	380 bar	380 bar	380 bar	380 bar	380 bar	380 bar	380 bar	380 bar
Oil flow: (l/min)	100-200	100-200	130-250	130-250	130-250	130-250	130-250	130-250	200-300	200-300	220-330	220-330	220-330	300-400
Rotation: Pmax.	90 bar	90 bar	90 bar	90 bar	90 bar	90 bar	90 bar	90 bar	90 bar	90 bar	110 bar	110 bar	110 bar	110 bar
Rotation, oil flow: (l/min.)	25	25	25	25	25	45	45	45	45	45	45	45	45	45